

# Poweramp® Dock levellers

## A condition for your logistical progress

### The Ins & Outs of Logistics

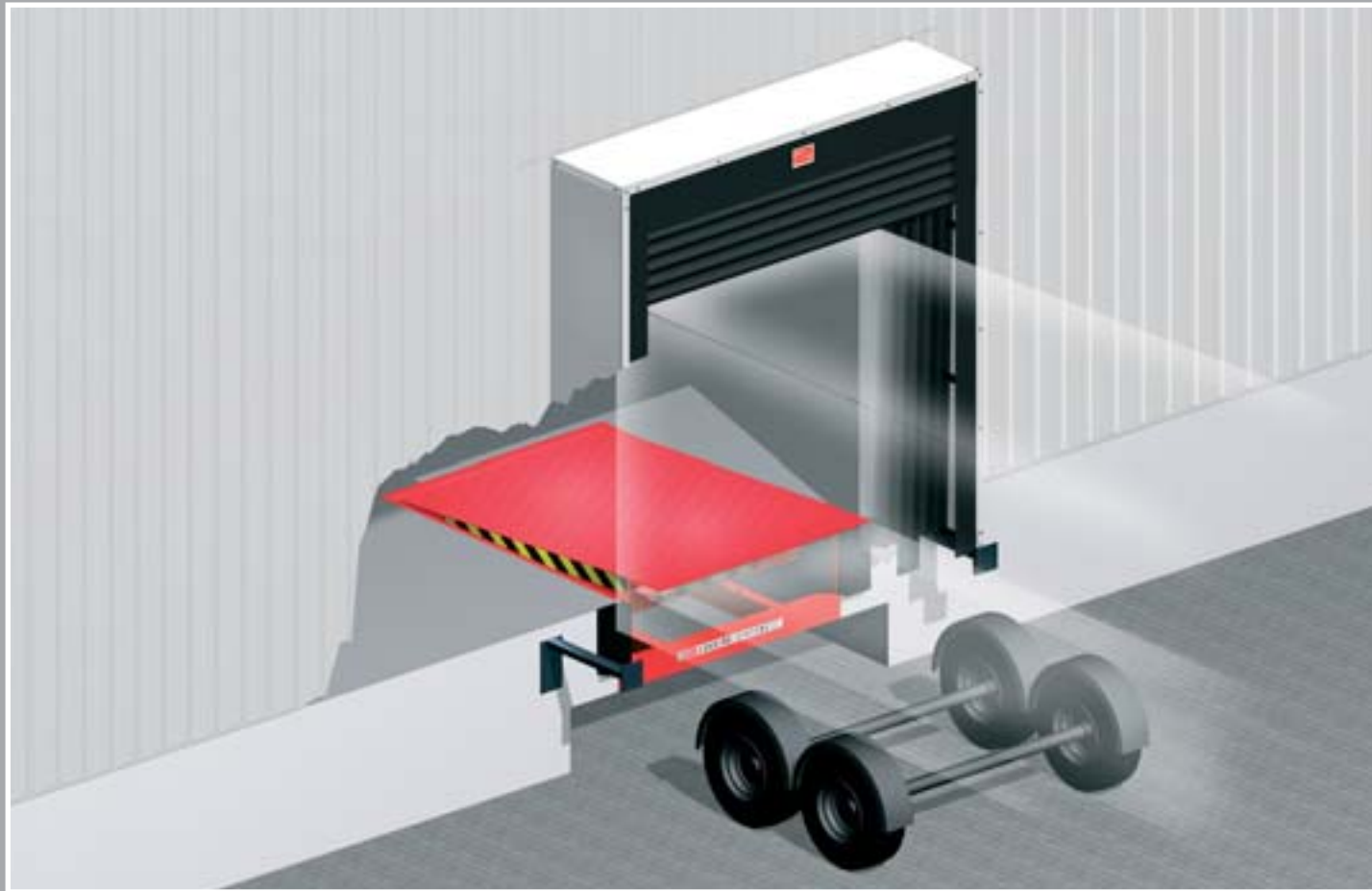
Loading Systems is an organisation operating within the transitional area between internal and external logistics. The organisation is focussed on activities to control the flow of goods between the warehouse and the external world as effectively and as smoothly as possible, whilst taking all requirements regarding dimensions, weights, loads, type of fleet, climate, ergonomics and aesthetics etc. into consideration.

The products and systems are characterised by concepts such as quality, durability, safety, functionality, ease of operation, quick installation procedures, maintenance friendliness and far reaching service facilities. This unique combination of characteristics is based on decades of experience and a vast knowledge and expertise in the field of warehouse logistics and physical distribution.

As a result of this we have developed a range of products, which has been divided into seven different groups, being:

- Powerplate (loading plates)
- Poweramp (dock levellers)
- Powershelter (dock seals & shelters)
- Powerlock (vehicle restraint systems)
- Powerdoor (industrial doors)
- Powerlift (lift platforms)
- Accessories

All products and systems included in the above are directly involved with all aspects of the loading and unloading activities of warehouses. Due to this complete product range Loading Systems is well known as a total solutions supplier.



### Poweramp® 232

**Electro hydraulic dock leveller including hinged lip. The platform as well as the lip is powered hydraulically.**

- Simple and easy 1-button operation.
- With the Logic Block-system, the hydraulic functions perform in accordance with a logical pattern. This results in that the use of error-sensitive electrical coils and valves is eliminated.
- Delta- and C-profiles have been provided to reinforce the platform in the longitudinal direction. This is especially important to allow the dock leveller to follow the lateral movement of the vehicle.

### Poweramp® 233

**Electro hydraulic dock leveller including an extendable lip. The platform as well as the lip is powered hydraulically.**

- With the 4-button operation, the operator controls every movement of the platform and lip.
- At the front of the dock leveller a protective and burglar proof steel plate is provided.
- When in the stored position, the dock leveller is locked in position via the CE-lock-system.
- In order to avoid the impact with a reversing vehicle, the lip can always be pushed in, until the lower button is activated.

### Poweramp® 235

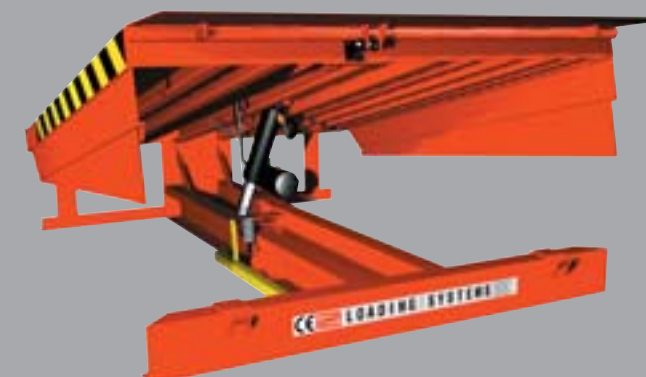
**Mechanical dock leveller including an automatically operated hinged lip. The platform as well as the lip is powered mechanically.**

- The unique spring system ensures the ultimate low operation noise, a large tolerance in the adjustable range as well as a low maintenance frequency.
- When in the highest possible position the lip swings out automatically, after which it is locked in position without affecting the spring movement. The possibility of damage due to collision is thus limited.
- At the rear side of the platform an integrated pull chain is provided. Therefore there is no need for extra space for operation at the side of the platform.

### Poweramp® 237

**Electro hydraulic dock leveller including an automatically operated hinged lip. The platform is powered hydraulically and the lip is powered mechanically.**

- Simple and easy 1-button operation.
- The lip is automatically released when the positioning onto the vehicle has been performed. This guarantees a quick return to the rest position.
- Delta- and C-profiles have been provided to reinforce the platform in the longitudinal direction. This is especially important to allow the dock leveller to follow the lateral movement of the vehicle.



The extensive standard Loading Systems Poweramps range can be provided with multiple options and accessories, all in accordance with the clients' specific demands.

**A selection of options, randomly selected:**

#### Option 1:

Draught sealing at three sides to achieve a draught-free seal around the dock leveller. Poweramp 232, 233, 235 and 237.

#### Option 2:

Surface treatment: platform and lip provided with Mandurax anti-skid finish/provided with insulation. Poweramp 232, 233, 235 and 237.

#### Option 3:

RAL colour of your own choice. Poweramp 232, 233, 235 and 237.

#### Option 4:

Lip side segments: hinged or sliding. Poweramp 232 and 233.

#### Option 5:

Increased lip length. Poweramp 232 and 233.

#### Option 6:

Tapered lip. Poweramp 232, 233, 235 and 237.

#### Option 7:

Increased load capacity. Poweramp 232, 233, 235 and 237.

#### Option 8:

Hot-dip galvanised version. Poweramp 232, 233, 235 and 237.

#### Option 1



#### Option 2



#### Option 3



#### Option 4



#### Option 5



#### Option 6



#### Option 7



#### Option 8





# General characteristics and advantages

In order to bridge the difference in height and distance between the loading bay and the vehicle floor Loading Systems supplies the Poweramp dock leveller.

The Poweramp dock levellers are available in a hydraulic as well as in a mechanical version including a hinged or extendable lip. The Poweramp dock levellers are available in numerous dimensions and capacities and various built-in possibilities. This results in the fact that mounting costs can be considerably reduced. Characteristic however is the ease of operation, the high quality and safety.

This brochure includes a summary of the major characteristics and advantages of the Poweramp dock levellers, which are applicable to the complete Poweramp range, as well as a detailed listing of the main characteristics of each individual model:

## Durability and maintenance

- The platform and the lip of the Poweramp is manufactured from high quality steel.
- The lower frame is provided with a protective front beam in order to protect the hydraulics and mechanics.
- The Poweramp dock levellers are provided with a totally closed hydraulic system with automatic cleaning, closed valve hinge construction, and as such is impervious to dirt, sand and dust.
- Over-sized cylinders, with an extremely low operating pressure, reduces maintenance to a minimum.
- Due to the positioning of the main cylinder, the majority of the force is absorbed by a safety stop mounted at the rear of the pit, as a result of which reinforcement of the cover plates between the dock levellers is superfluous.



## Functionality and ease of operation

- During the loading and unloading activities, the Poweramp dock leveller automatically follows each upward or downward movement of the vehicle.
- As standard the control panels supplied with the Poweramp dock levellers, have the facility for connections between the Poweramp and other electrical equipment in the vicinity i.e. the dock door, external safety devices, etc..



## Custom-made solutions

- All Poweramp docklevellers have been provided with a solid self-supporting lower frame, which enables numerous mounting arrangements.
- For custom-made versions, various options are available increasing the user friendliness, improving safety and enabling integration with other products or systems on the loading bay. Furthermore there are many options to adapt the system to the architectural aspects of the building.



## Quality and safety

- All Poweramp dock levellers have been awarded a certificate in accordance with the TÜV/GS and comply with the CE-standards. The production methods as well as the operation both comply with the standard EN1398.
- As a standard the Poweramp dock levellers have been provided with multiple safety features.



**Loading Systems International BV**  
Loodsweg 1, NL-8243 PH Lelystad  
Tel.: +31 (0) 320 225 200, Fax: +31 (0) 320 261 347  
E-mail: info@loading-systems.com

**Loading Systems Belgium NV**  
Frankrijklei 88, B6, B-2000 Antwerpen  
Tel.: (03) 2 31 54 70, Fax: (03) 2 31 48 34  
E-mail: info@loading-systems.be

**Loading Systems Deutschland GmbH**  
Siemensstraße 11, D-65779 Kelkheim  
Tel.: (0 61 95) 7 00 90, Fax: (0 61 95) 7 40 39  
E-mail: info@loading-systems.de

**Easilift Loading Systems LTD.**  
Spring grove, Penistone Road, Kirkburton, Huddersfield GB-HD8 OPL  
Tel.: (0 14 84) 60 14 00, Fax: (0 14 84) 60 14 01  
E-mail: sales@easilift-loading-systems.co.uk

**Loading Systems France SA**  
4, Allée de la Fontaine des Tournelles, F-77230 St. Mard  
Tél.: (01) 60 03 59 59, Fax: (01) 60 03 93 05  
E-mail: info@loading-systems.fr

**Loading Systems Nederland BV**  
Loodsweg 1, NL-8243 PH Lelystad  
Tel.: (0320) 225 225, Fax: (0320) 261 655  
E-mail: info@loading-systems.nl

**Loading Systems Schweiz GmbH**  
Hofmattstraße 12, 4950 Huttwil  
Tel.: (0 62) 9 59 70 30, Fax: (0 62) 9 59 70 31  
E-mail: info@loading-systems.ch

[www.loading-systems.com](http://www.loading-systems.com)



# Poweramp<sup>®</sup> Dock levellers



Powerplate



Poweramp



Powershelter



Powerlock



Powerdoor



Powerlift



Accessories